



analyze + prepare + create = moldplus

what can moldplus do for me?

Moldplus® - Radically reduces your mold design and manufacturing cycle.



Today's competitive environment and globalization requires that mold makers manufacture molds cheaper, faster and better than ever before. Moldplus and our international support network will help your shop remain competitive and profitable. The powerful functions of Moldplus make even the most difficult of tool design tasks easy.

Moldplus is a family of powerful software tools specifically designed for the advanced needs of toolmakers. For many years builders of complex tools have been using market leading Moldplus products to help design and manufacture their molds, dies, models, and fixtures in the shortest possible timeframe with high quality and maximum profits.

Moldplus enables you to determine draft angles, split core and cavity surfaces, create parting lines, design complex run-off surfaces and even manufacture EDM electrodes. With Moldplus, precious machine time is never wasted because you can be sure that the tool will be correct, functional, and of the highest quality before any machine tool is set-up or single chip is made.

Mold & Die Designers, Electrode Makers & Surface Modelers. Just about anyone involved in the tool building process....that's who.

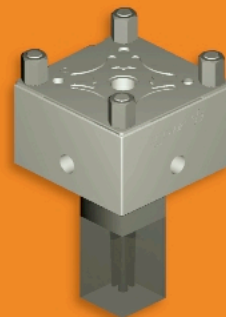
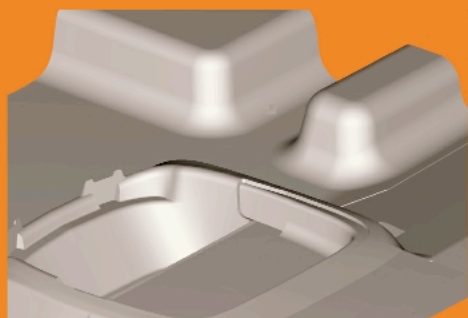
Flexibility

Moldplus is available in a variety of modules to suite your application and budget.

Moldplus: Draft angle analysis • Parting Line Development • Parting Surface and Edge Creation • Core and Cavity Separation • Advanced Surface Trimming.

Moldplus Electrode: All Moldplus features described above Electrode maker module • Untrimming Utilities

Supertrim: Advanced Surface Trimming and Un-trimming Utilities Only



Requirements, Learning Tools & Support

Moldplus leverages the power of the Mastercam software environment and worldwide support network along with an extensive set of electronic learning tools to assure quality software, exceptional service and short learning curve.

Requirements: Moldplus requires Mastercam Design, Mill, Lathe or Wire software licenses. Both, single and network versions of Mastercam are supported.

Learning Tools: Context Sensitive On-line Help Application Guide with Practical Projects

Support: Local support is provided through your Mastercam Reseller, as well as e-mail, at support@moldplus.com

Who uses moldplus?



Radically accelerate mold design and fabrication.



analyze the part prepare the mold design
create and manage *electrodes*
moldplus makes the difference

Moldplus for Mastercam radically reduces the tool design and manufacturing time. Specific functions automate the most tedious and difficult mold design tasks. Jobs that once took days can now be done in just a few hours. Moldplus™ literally pays for itself in one mold.

Fast, **efficient** and *automatic* tool
design with *the following functions*:

Part Analysis

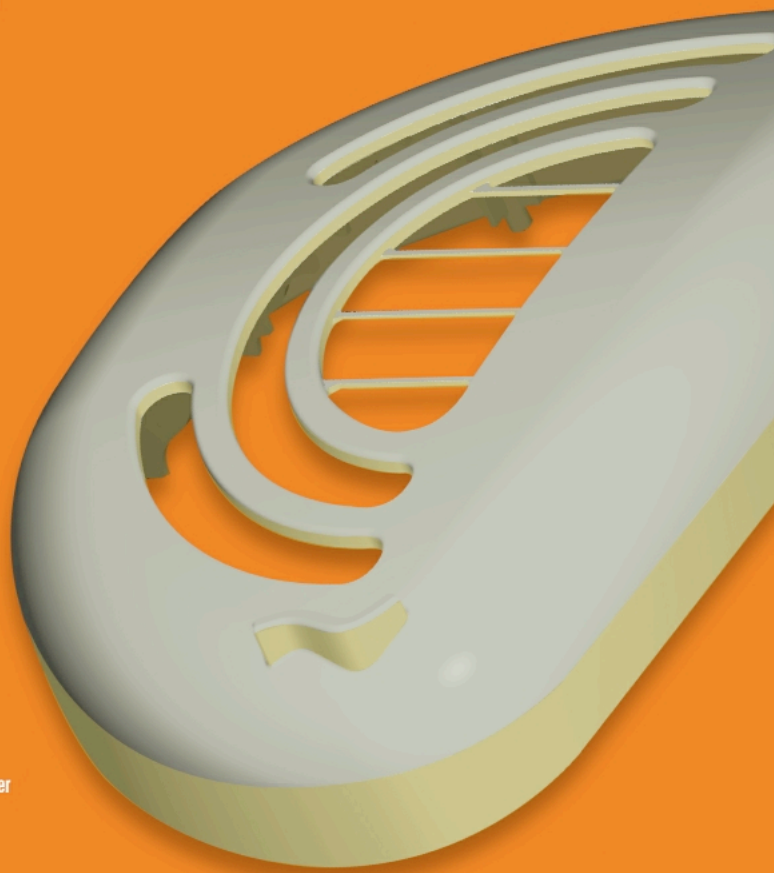
- Analyze complex parts for appropriate draft angles with 1 click
- Easily split surfaces relative to the draft angle for easy slide and parting surface creation
- Create parting line and part edge curves
- Identify non-coincident surfaces

Part preparation

- Automatically separate Core and Cavity surfaces
- Automatically split surfaces that straddle the parting line
- Easily fill or un-trim holes on the Core, Cavity, Punch, or Die surfaces
- Create run-off surfaces to the edge of the tool at any angle
- Automatically create side and corner locks
- Create Cross sections and views of the part and tool
- Trim or untrim complex sets of surfaces.

Electrode creation

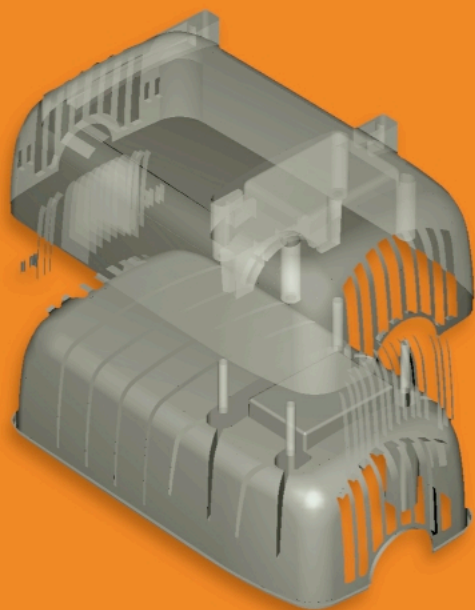
- Easily isolate electrode reference geometry
- Eliminate errors with automatic collision detection
- Automatically choose the optimal electrode blank, and holder
- Minimize waste of carbon or copper
- Automatically determine the electrode insertion angle
- Create new/non standard electrodes on the fly
- Easily manage your electrodes, surface geometry and files
- Automatically produce electrode set-up sheets with display of electrode dimensions and burn locations



Easily identify and isolate inappropriate draft conditions



Core and Cavity separation tools and more.



Whether you create your own geometry or work with customer provided data—**Moldplus** will instantaneously separate the core and cavity halves of complex surface and solid models. This tedious and time consuming task can now be **done in seconds instead of hours**. Moldplus even manages surfaces that are vertical or straddle the parting line.



Corner parting surfaces can be created with ease



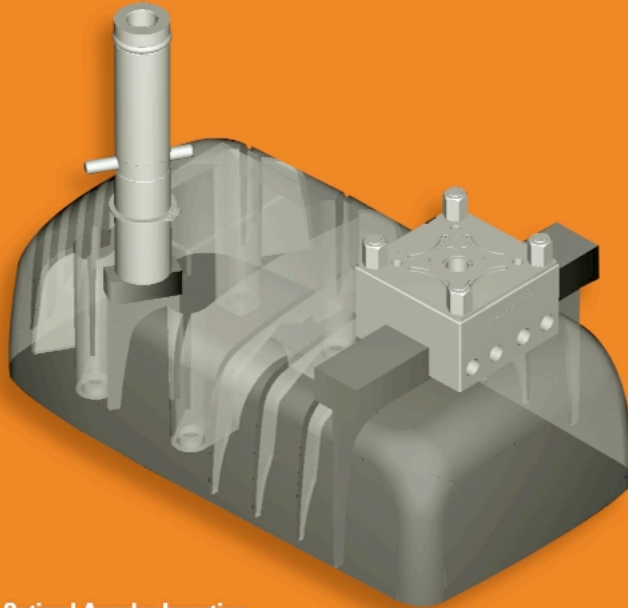
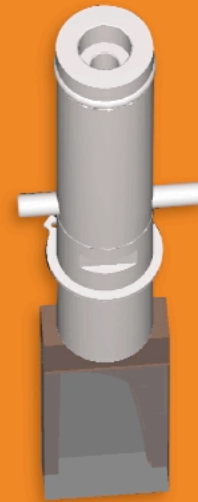
Create parting surfaces at any angle from trimmed surfaces



Easily create complex parting surfaces



Moldplus uses a Wizard interface to guide the user through the steps necessary to create EDM electrodes including, isolating burn geometry, blank/holder selection, and inserting the electrode, as well as **moving**, trimming and saving the electrode.



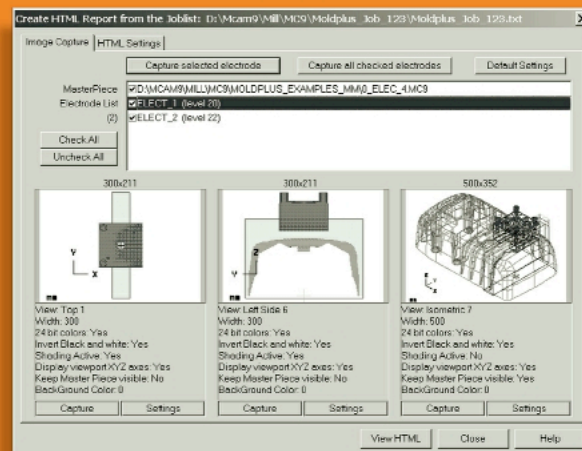
Optimal Angular Insertion

Electrode Management

- Advanced job management tools to organize electrodes and jobs.
- Display of electrodes and holders already completed.
- Automatic naming and level management while saving electrodes.
- Automatic list of electrode details and burn locations.
- Comprehensive HTML set-up sheets with images, dimensions, burn depth, and number/type of operations to be performed.
- Generate NC data for the EDM machine with burn-hole location information.

Electrode Creation and Placement

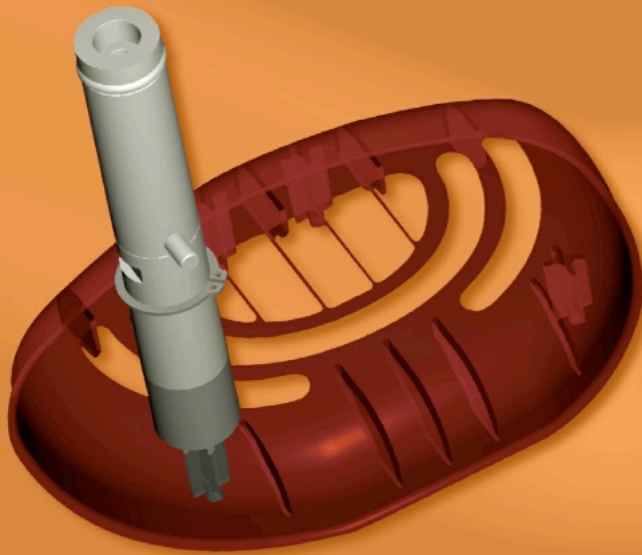
- Automatic identification of bosses and depressions.
- Round-off nominal electrode burn locations to the nearest decimal.
- Trim the part surrounding the reference geometry to the standard electrode.
- Angular placements of the electrode for minimal stock usage.
- Automatic tangential surface extension for electrodes to base/holder.
- Untrim or fill holes after electrode extraction.
- Electrode preparation tools for translation, rotation and extension of surfaces.
- Collision detection for holders.
- Automatic coordinate placement relative to geometry.



Easy HTML report generation



What are users saying about Moldplus?



"We have used Moldplus for about 5 years. We use the Solid Separation feature for it saves us a lot of time. We use it also to manufacture all our electrodes. We use the trimming features and the run-off creation features also an awful lot. **Moldplus has usually paid for itself in 1 job and when it comes to complex jobs, it has given us time savings of up to 70%!** Moldplus helps us to design quicker, machine quicker, get the parts out of the door quicker. Moldplus is easy to learn and once we show our designers how to use the software, they are amazed at the capabilities of the software and never quit using it!"

—Tom Preblich, Tooling Supervisor, Dynamic Plastics, Michigan, USA
(6 seats of Moldplus)

"We manufacture 3D stamping dies. We have used Moldplus ever since it was released! The Moldplus run-off creation feature and trimming functionalities are really slick! **We save us an awful lot of time in creating run-offs to mold edges and cutting sections through surfaces.** This software saves us a lot of time and in this business Time is money and time saved is money saved! It was well worth the investment."

—Dan Crawford, Owner, JC Manufacturing, Michigan, USA (1 seat of Moldplus).



MOLDPLUS SA
cp 2190 – ch 1110 Morges 2 Switzerland
t.41-21-802-2886 • f. 41-21-802-2889
e. info@moldplus.com • www.moldplus.com

RESELLER INFORMATION: